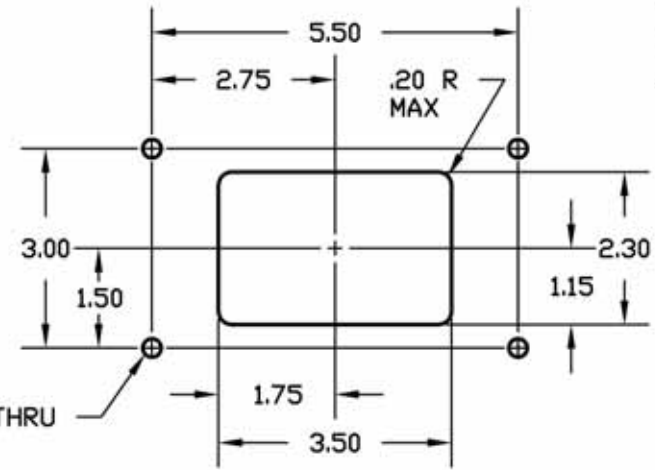
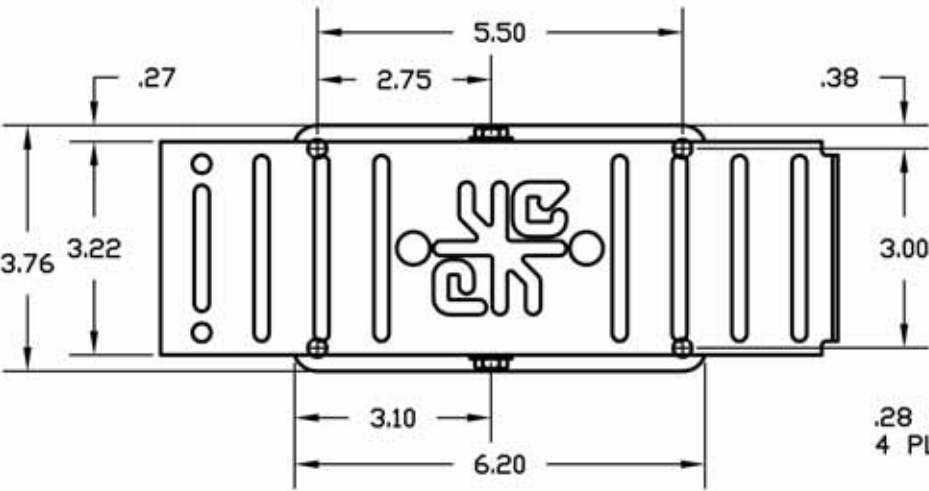
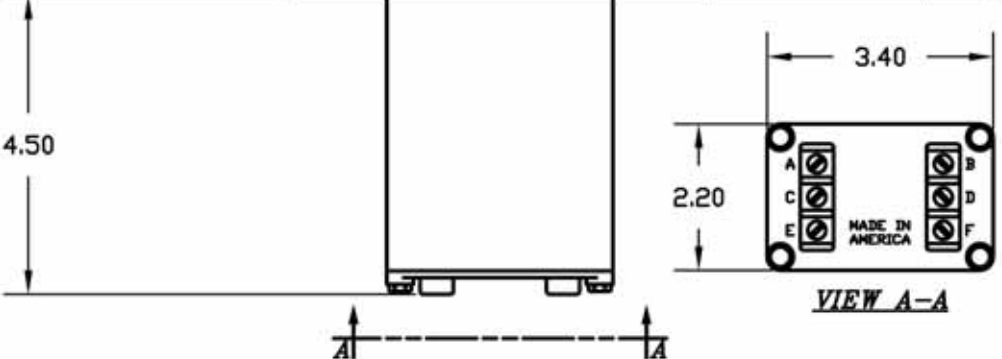
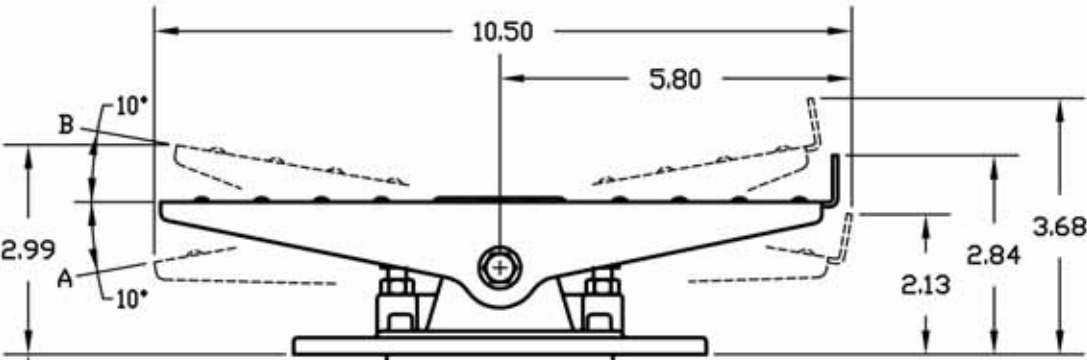


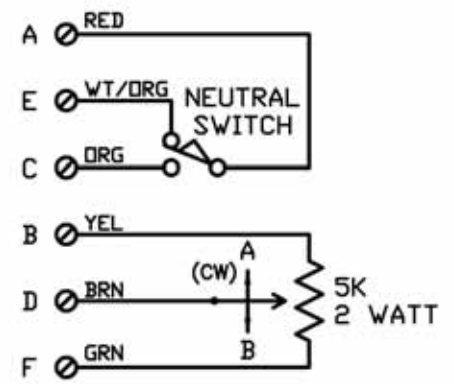
REV.	DESCRIPTION	DATE
A	REVERSED A & B DIRECTIONS ON SCHEMATIC	08-18-94



PANEL CUTOUT




VIEW A-A



ELECTRICAL CONNECTION

NOTES: 1) FOOT PEDAL IS SPRUNG TO CENTER POSITION.

	RGDHydraulics ZI Vaux Le Pénil - BP 570 77016 MELUN CEDEX Tel = 01 64 37 40 25 Fax = 01 64 37 68 99	DWG. NO. B-05623	REV. A
	M110-21 INSTALLATION DWG POT & SWITCH CONTROL (5K POT)		SHEET 1
DRAFTSMAN JCH	CHECK	PROJECT ENGINEER	DATE 05-23-89